

## Large Diameter Parent Core Handling

### Automated Parent Core Handling for the P600

Appleton Mfg Division offers an integrated parent core handling system for core users dealing with a number of differing core diameters (3" to 24" ID, up to 1" wall). Designed to deliver parent cores to Appleton's P610 Programmable Core Cutter, the system combines a low extended delivery table capable of holding a queue of parent cores with a parent core elevator and an automated core tray.

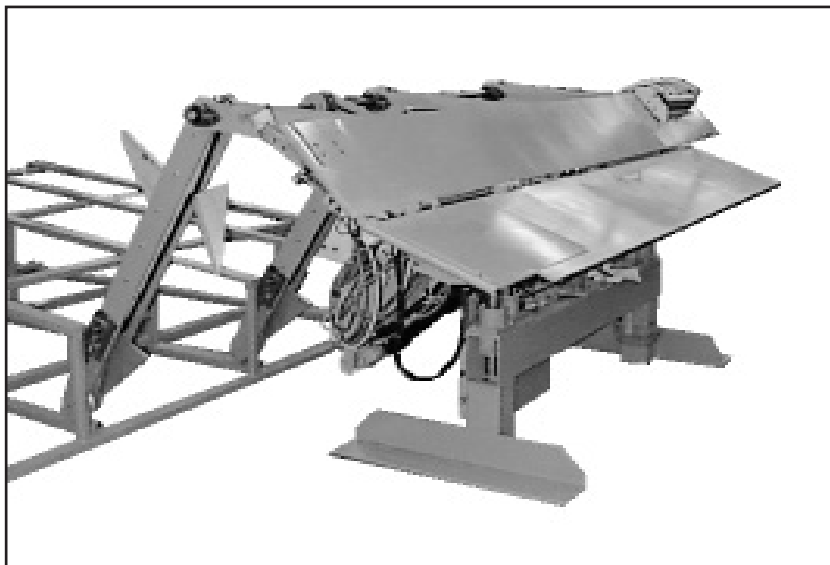
### Big core capacity

The AutoLoader can handle cores as large as 24" I.D. with lengths available to 30'. This is big core capacity -- enabling set or batch cutting for virtually any process.

The parent cores are delivered to the core cutter utilizing the delivery table, elevator and tray system. The same tray collects the cut cores. There is no manual operator handling, freeing the operator for tasks like record keeping and quality monitoring.

### Easy size change

The tray can be automated to self-adjust for core diameter based on operator selection of the core ID and wall thickness to be cut. The parent core elevator adjusts to the new tray height -- freeing the operator from the need to make additional adjustments to the parent core delivery system. Just stock the delivery table with the cores to be cut and you are ready to run. Stocking can be accomplished by hand, by lift truck, overhead hoist, or using an Appleton Pallet Upender.



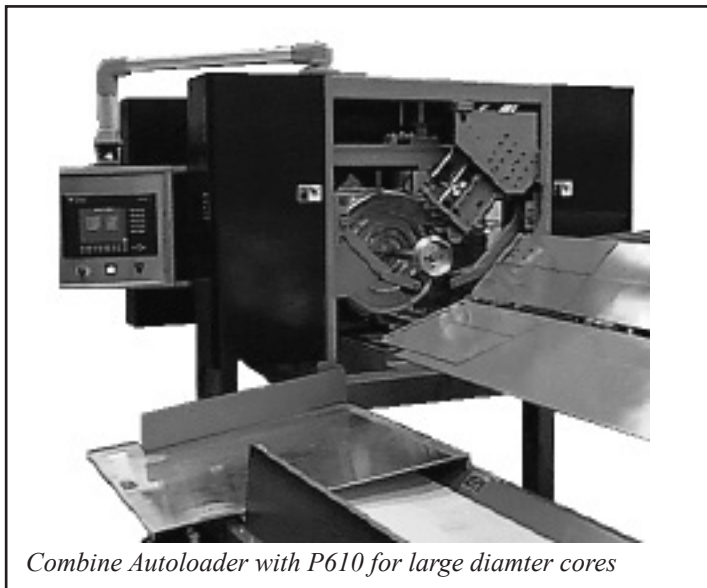
### Integrated for your convenience

Appleton offers a wide range of parent core handling modules to meet the varied needs of our customers. This large diameter parent core handling system was designed to include all of the components needed to handle the requirements of the user with a number of differing O.D.'s -- particularly if large diameters are used.

Integrating the components into a system permits the operator to manage the core handling and cutting from a single control panel.

### Designed to your application

The large diameter parent core handling system is sized to your parent core lengths and diameters. Appleton's Application Consultants and Engineering staff will work with you to ensure that the system meets your requirements.



Combine Autoloader with P610 for large diameter cores

## System components

### Automated Core Tray

The automated core tray performs the following functions:

- Receives the parent core from the elevator.
- Aligns the core with the cutting pad of the P610 Core Cutter.
- Loads the core into the core cutter.
- Separates the trim piece from the cut cores.
- Receives the cut cores from the core cutter.
- Removes the butt piece from the core cutter.

### Parent Core Elevator

The parent core elevator picks up a single parent core from the parent core delivery table and transfers it to the automated core tray.

### Parent Core Delivery Table (Hopper)

The delivery table stores a queue of parent cores on an inclined surface for gravity feed to the parent core elevator

## Specifications

Parent Core Length Range

- Matched to P610 Core Cutter

Diameter Range

- 3" I.D. to 24" I.D with up to 1" wall

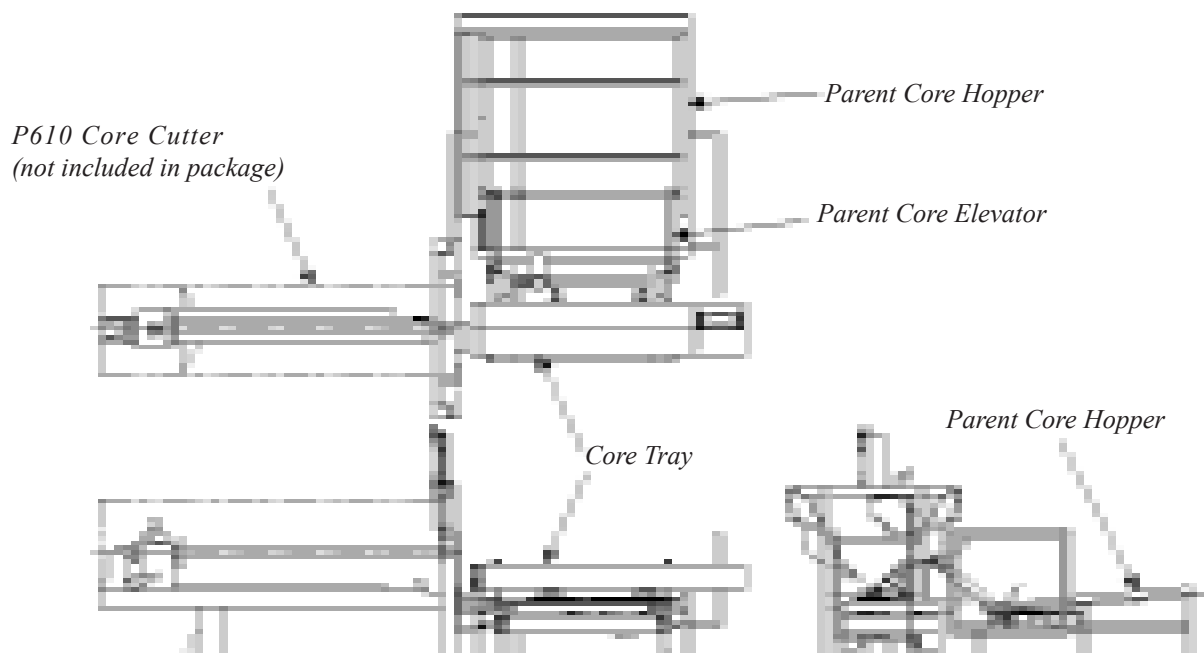
Utilities

- 3 phase power  
220/440V std., others optional
- 80 psi plant air

Electrical Components

- Components other than Appleton's standard motor starters, control voltage transformers, and power disconnects will be quoted on request.

*Just add a P610 Programmable Core Cutter and you are ready to run.*



*Typical System Layout*